



Husky Saw Site Prep

1. Adequate area to park and unload.
2. Installation site must be ready and accessible.
3. 5000 lb Forklift.
4. Qualified forklift operator.
5. Helper for duration of installation.
6. Minimum 208 V 3 phase power within 25 ft (for temp power during setup).
7. 120 V power for power tools.
8. Water.
9. One long piece of granite for laser alignment.
10. Two pieces of granite. (one for use as table top, one to cut for training)

*Any delays outside of my control will result in additional charges of \$750 per day plus expenses.

*All tools and anchoring hardware are provided by me.

*A typical install takes less than one day. (not including table pour)

*Electrical and water can be temporary for install.

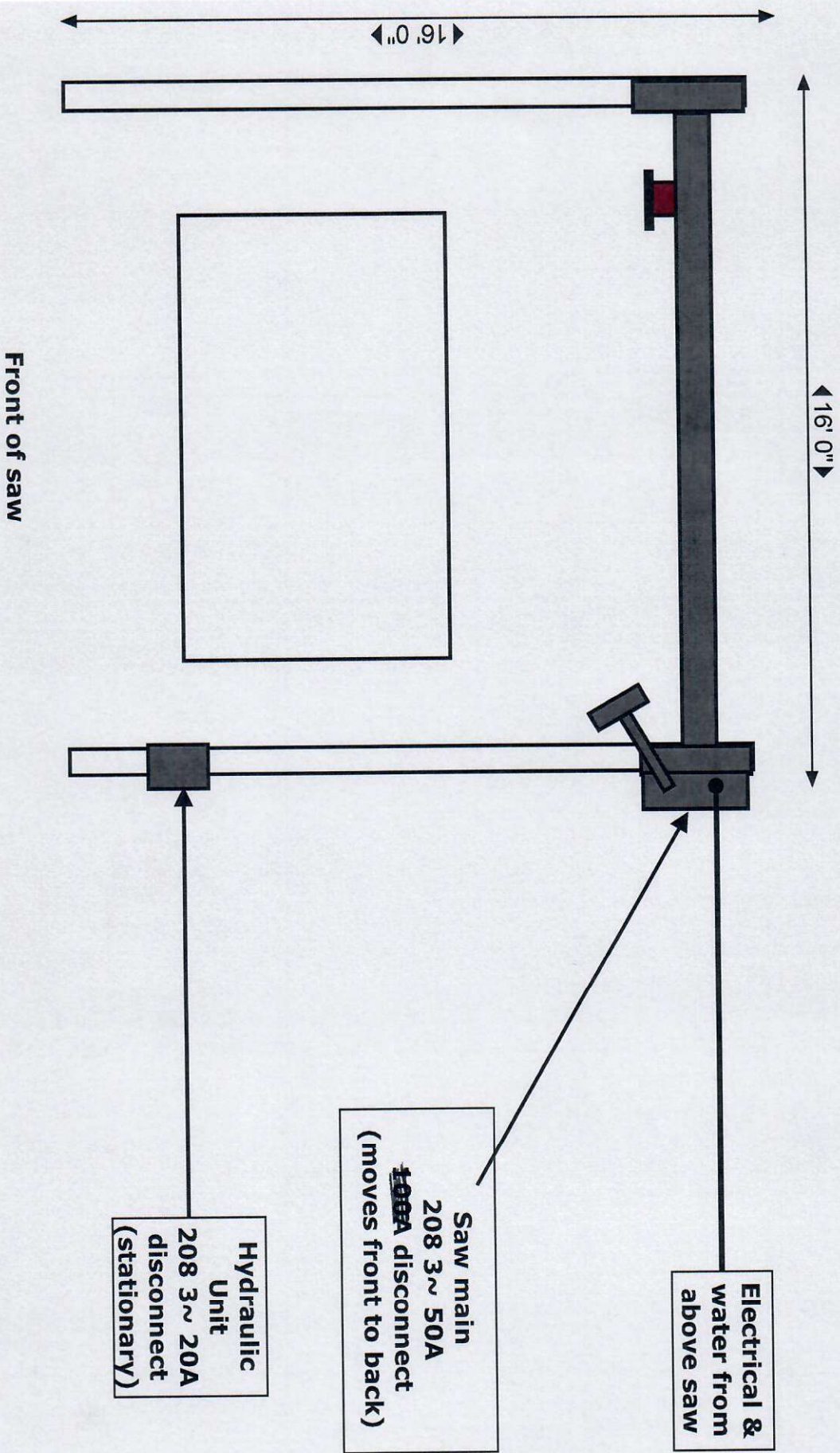
By signing and returning this document you agree that the above requirements are met and any delays outside of my control will result in additional charges.

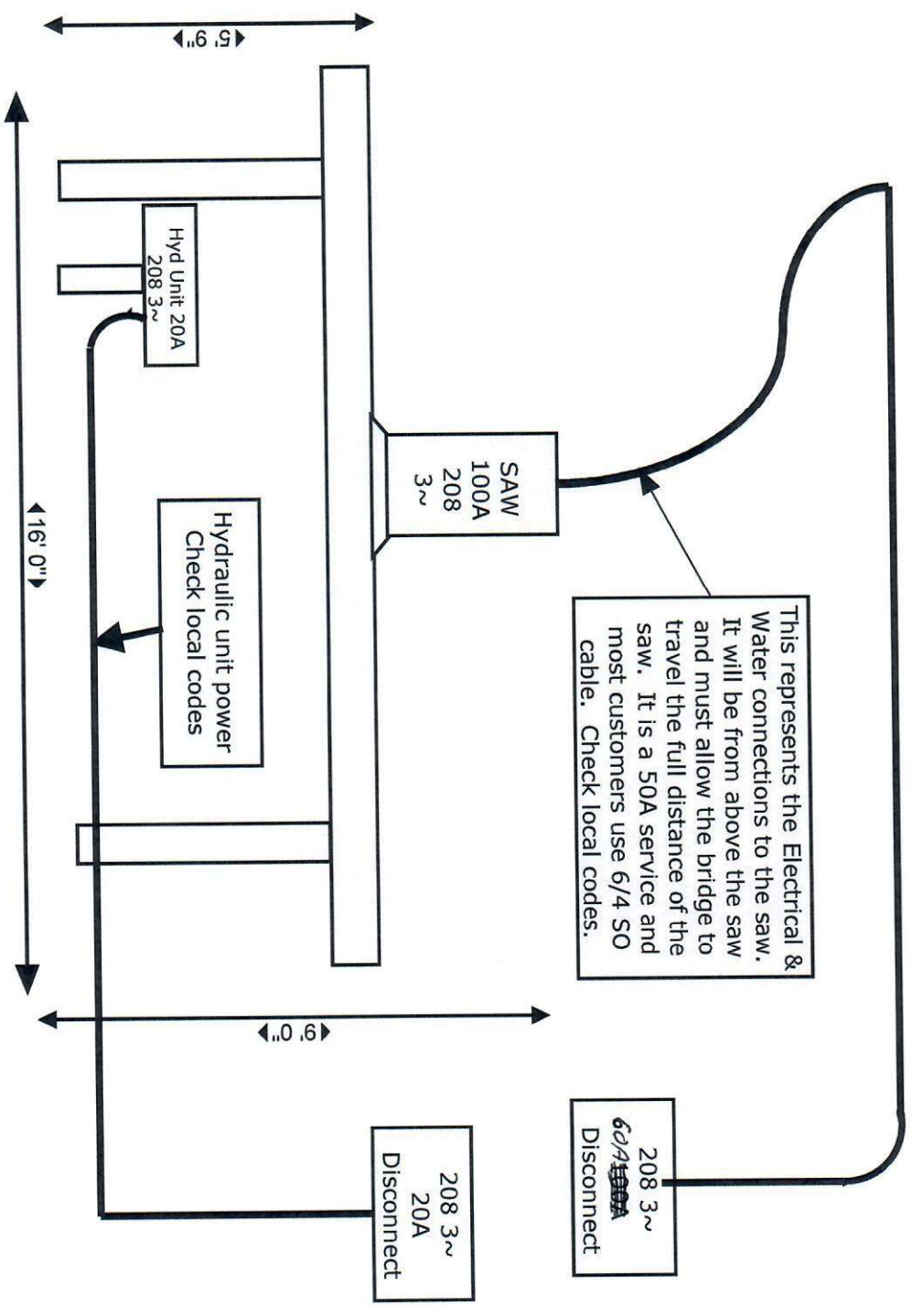
Installation of equipment will not be scheduled until this document is signed and returned to RYE Corp. Email (rodyork@tds.net) or fax- 865-988-3825

Company Name _____

Signature: _____ Date ____/____/____

Husky Saw Top View





This represents the Electrical & Water connections to the saw. It will be from above the saw and must allow the bridge to travel the full distance of the saw. It is a 50A service and most customers use 6/4 SO cable. Check local codes.

208 3~
20A
Disconnect

208 3~
~~60A~~
Disconnect

SAW
100A
208
3~

Hydraulic unit power
Check local codes

Hyd Unit 20A
208 3~

16' 0"

0.6"

0.6"

List for Concrete Table

1. 2ea 2"X8"X10ft Board
2. 2ea 2"X8"X8ft Board
3. 3 sheets of 7/16" OSB (Cut into 13 1/2" strips)
4. 2ea Rolls of Duct Tape
5. 5ea 2"X3"X8' boards (if not available, rip cut 3ea 2"X4"s)
6. 10ea 1/2"-13 Hex Head bolts 2/1/4" long
7. 10ea 1/2" Flat Washers
8. 20ea 80lb Bags of Portland Cement
9. 20ea 50lb Bags of Play Sand

Tools Needed: Circular Hand Saw with adjustable depth, Drill with 1/2" drill bit, A way to mix and pour concrete, 3/4" spanner, and tape measure.

